

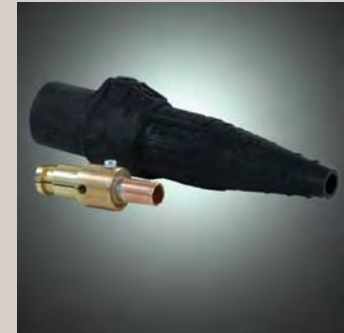
Cam-Lok® “J” Power Series



All Cam-Lok part numbers available in convenient, single-use, color-coded packaging.
See page 75 for details.

MALE PLUG					
	COLOR	CABLE SIZE	COMPLETE PART NO.	CONTACT ONLY PART NO.	INSULATOR ONLY PART NO.
CRIMP	BLACK	#2-#1	E-Z1016-8006	A200036-18	E-Z200074-19
	RED		E-Z1016-8008	A200036-18	E-Z200074-21
	GREEN		E-Z1016-8010	A200036-18	E-Z200074-23
	WHITE		E-Z1016-8011	A200036-18	E-Z200074-24
	BLUE		E-Z1016-7700	A200036-18	E-Z200074-38
	BROWN		E-Z1016-7701	A200036-18	E-Z200074-47
	ORANGE		E-Z1016-8009	A200036-18	E-Z200074-22
	YELLOW		E-Z1016-8007	A200036-18	E-Z200074-20

FEMALE PLUG					
	COLOR	CABLE SIZE	COMPLETE PART NO.	CONTACT ONLY PART NO.	INSULATOR ONLY PART NO.
CRIMP	BLACK	#2-1	E-Z1016-8056	A200037-23	E-Z200075-19
	RED		E-Z1016-8058	A200037-23	E-Z200075-21
	GREEN		E-Z1016-8060	A200037-23	E-Z200075-23
	WHITE		E-Z1016-8061	A200037-23	E-Z200075-24
	BLUE		E-Z1016-7716	A200037-23	E-Z200075-44
	BROWN		E-Z1016-7717	A200037-23	E-Z200075-52
	ORANGE		E-Z1016-8059	A200037-23	E-Z200075-22
	YELLOW		E-Z1016-8057	A200037-23	E-Z200075-20

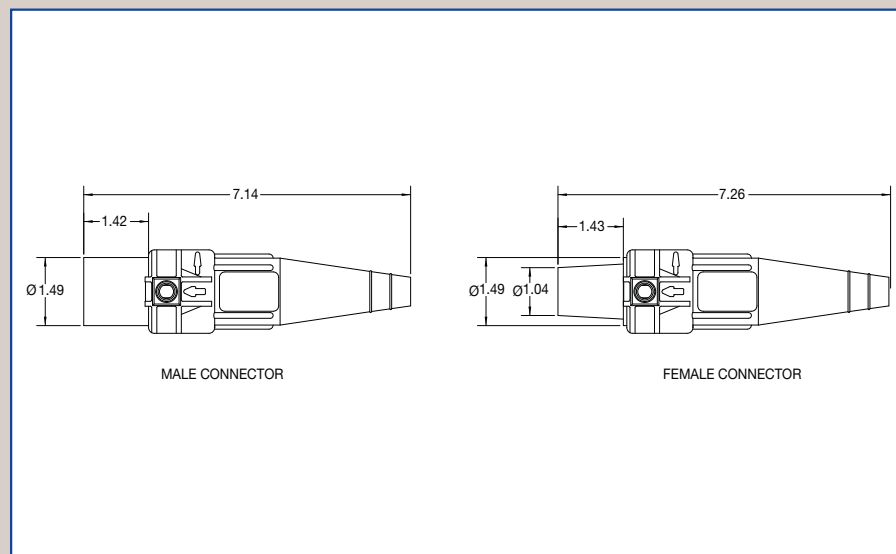


E-Z1016-8006



E-Z1016-8058

E-Z1016 Series



CAM-LOK “J” POWER SERIES
RECEPTACLES AND PLUGS PROVIDE THE MEANS TO QUICKLY CONNECT AND DISCONNECT POWER SYSTEMS SAFELY AT CONCERTS AND CARNIVALS AS WELL AS CONNECTING GENERATORS, STANDBY POWER, AND LOAD TESTING IN HOSPITALS, UTILITIES AND HEAVY INDUSTRIAL ENVIRONMENTS.

RATINGS: 600 VOLTS UP TO 190 AMPERES CONTINUOUS

STANDARD MATERIALS
CABLE SIZE: #2 - #1
CONNECTOR BODY: TPE
CONTACT: BRASS

AGENCY APPROVALS
UL LISTED E67181
CSA CERTIFIED LR13963

ENVIRONMENTAL RATING: NEMA 3R

Cam-Lok® E-Z Series

E-Z1016 Series



E-Z1016-8018



E-Z1016-8073

All Cam-Lok part numbers available in convenient, single-use, color-coded packaging. See page 75 for details.

MALE PLUG					
	COLOR	CABLE SIZE	COMPLETE PART NO.	CONTACT ONLY PART NO.	INSULATOR ONLY PART NO.
CRIMP	BLACK	#1/0-2/0	E-Z1016-8018	A200038-11	E-Z200074-60
	RED		E-Z1016-8020	A200038-11	E-Z200074-62
	GREEN		E-Z1016-8022	A200038-11	E-Z200074-64
	WHITE		E-Z1016-8023	A200038-11	E-Z200074-65
	BLUE		E-Z1016-7704	A200038-11	E-Z200074-66
	BROWN		E-Z1016-7705	A200038-11	E-Z200074-67
	ORANGE		E-Z1016-8021	A200038-11	E-Z200074-63
	YELLOW		E-Z1016-8019	A200038-11	E-Z200074-61

FEMALE PLUG					
	COLOR	CABLE SIZE	COMPLETE PART NO.	CONTACT ONLY PART NO.	INSULATOR ONLY PART NO.
CRIMP	BLACK	#1/0-2/0	E-Z1016-8068	A200035-17	E-Z200075-60
	RED		E-Z1016-8070	A200035-17	E-Z200075-62
	GREEN		E-Z1016-8072	A200035-17	E-Z200075-64
	WHITE		E-Z1016-8073	A200035-17	E-Z200075-65
	BLUE		E-Z1016-7720	A200035-17	E-Z200075-66
	BROWN		E-Z1016-7721	A200035-17	E-Z200075-67
	ORANGE		E-Z1016-8071	A200035-17	E-Z200075-63
	YELLOW		E-Z1016-8069	A200035-17	E-Z200075-61

CAM-LOK "J" POWER SERIES
RECEPTACLES AND PLUGS PROVIDE THE MEANS TO QUICKLY CONNECT AND DISCONNECT POWER SYSTEMS SAFELY AT CONCERTS AND CARNIVALS AS WELL AS CONNECTING GENERATORS, STANDBY POWER, AND LOAD TESTING IN HOSPITALS, UTILITIES AND HEAVY INDUSTRIAL ENVIRONMENTS.

RATINGS: 600 VOLTS UP TO 300 AMPERES CONTINUOUS

STANDARD MATERIALS
CABLE SIZE: 1/0 – 2/0
CONNECTOR BODY: TPE
CONTACT: COPPER

AGENCY APPROVALS
UL LISTED E67181
CSA CERTIFIED LR13963

ENVIRONMENTAL RATING: NEMA 3R, 4

